

TM TECHNOLOGIE
emergency & evacuation lighting

IP 20 LED 3h 850°C d=32mm

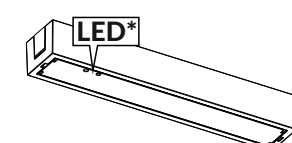
210 ÷ 250 V AC
50 / 60 Hz
186 ÷ 254 V DC

TM.ONTEC APN

-10+43°C CB -15+55°C -10+40°C CBA 0.7m

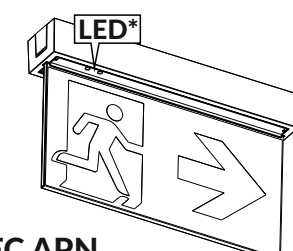
CE

A1



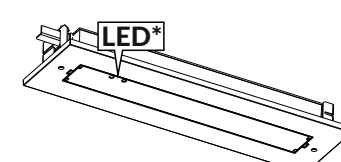
ONTEC AN

A2



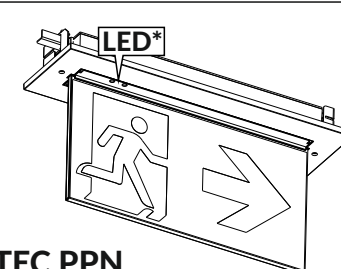
ONTEC APN

B1



ONTEC PN

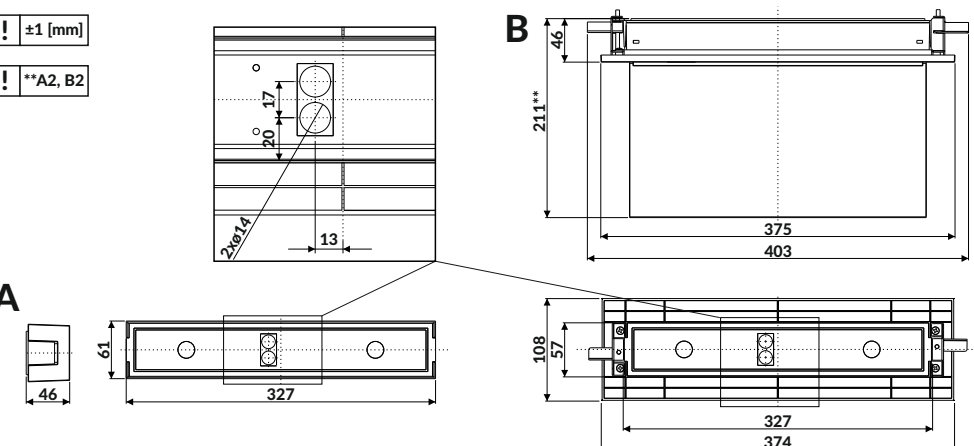
B2



ONTEC PPN

! ±1 [mm]

! **A2, B2



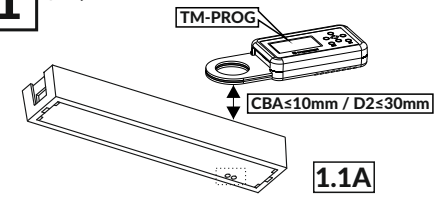
A

B

1 CBA / D2

TM-PROG

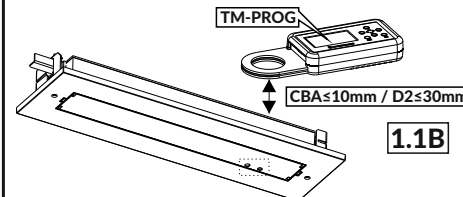
CBA≤10mm / D2≤30mm



1.1A

TM-PROG

CBA≤10mm / D2≤30mm

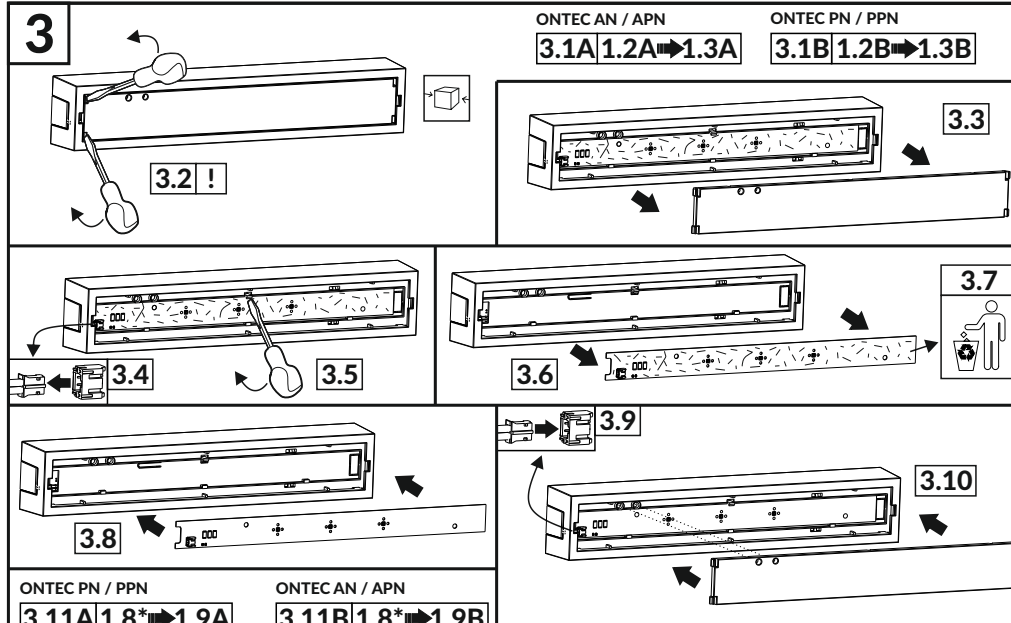


1.1B

3

ONTEC AN / APN 3.1A|1.2A⇒1.3A

ONTEC PN / PPN 3.1B|1.2B⇒1.3B



ONTEC PN / PPN 3.11A|1.8*⇒1.9A

ONTEC AN / APN 3.11B|1.8*⇒1.9B

4

*ST / AT / DT / D2 / D2R / DA

ONTEC AN / APN 4.1A|1.2A⇒1.3A

ONTEC PN / PPN 4.1B|1.2B⇒1.3B

ONTEC AN / APN ONTEC PN / PPN

4.3

4.4

LiFePO4/C 6.4V/3.0Ah

LiFePO4/C 6.4V/1.5Ah

4.5

ONTEC PN / PPN 4.10A|1.8*⇒1.9A

ONTEC AN / APN 4.10B|1.8*⇒1.9B

4.6


4.7

4.8

4.9

ONTEC APN	M	t _c	93°C
ONTEC APN	CB	t _c	100°C
ONTEC APN	CBA	t _c	95°C

ONTEC APN	2 LED	t _c	101°C
ONTEC APN	14 LED	t _c	69°C




ONTECAN / APN

1.2A !

ONTEC PN / PPN

1.2B !

M	CB	CBA	L	ST / AT	L1	DT/D2/DA	D2R
■ ■ ■ ■ ■ BA L1 L N (DA DA)	■ ■ ■ ■ ■ L/+ N/- CB	■ ■ ■ ■ ■ N L L1 L+N- CB	● ● ● ● ● N	● ● ● ● ● N/L/H	● ● ● ● ● N L L1	● ● ● ● ● DT/D2/DA	● ● ● ● ● D2R

1.4A

200mm

1.4B

60mm 360mm

1.5A

1.5B

1.7A

1.9A

1.9B

1.12B

! 1.10B

1.11B

! 1.10B

1.51[Nm]

1.8*

ONTEC PN / PPN

1.10B

1.2[Nm]

1.13

1.14

1.15

1.16

1.17

1.18

ONTEC APN

1.19

ONTEC PPN

1.19